

multifunction digital pressure instrument: gauge, transmitter, switch

SDM 18

- ✓ - rangeability 1:5
- ✓ - 0,1% accuracy
- ✓ - 5 digit with analog bar graph
- ✓ - 2 alarms
- ✓ - Peak values measurement
- ✓ - Temperature measurement



CE Compliance to requirements of directives:
EMC 89/336/EEC - - PED 97/23/EEC

Display output: 5 digit x 0.47" (12 mm) height, with analog bar graph.

Display type: graphic with resolution 128 x 64 dots, backlighted.

Output signal: 4...20 mA, with separated supply (3 wires).

Rangeability (on signal output):

1:5 for pressure ranges ≤ 1450 psi (100bar);

1:2 for pressure ranges > 1450 psi (100bar).

Accuracy (% FSV):

for rangeability 1:1 =

$\leq 0,1$ for pressure ranges ≤ 1450 psi (100bar);

$\leq 0,25$ for pressure ranges > 1450 psi (100bar);

for rangeability $\neq 1:1$,

standard accuracy x (nominal range / calibrated range).

Alarm contacts: nr.2, PNP or NPN.

Calibration: limit-point as per DIN 16086.

Process fluid temperature: -4...+158 °F (-20...+70 °C).

Compensated temperature range: +32...+122 °F; (0...+50 °C).

Supply and max load: see on page 2.

Safety designation: S1 as per EN 837-2.

Sensor: piezoresistive for pressure ranges ≤ 1450 psi (100bar);

st.st. thin film for pressure ranges > 1450 psi (100bar).

Electric connection: junction box as per VDE with exit for cables $\varnothing 0.27'' \dots 0.51''$ ($\varnothing 7 \dots 13$ mm).

Protection degree: IP 65 as per IEC 529.

Socket material: AISI 316L st.st.

Case: stainless steel, vented for pressure ranges ≤ 1450 psi (100bar).

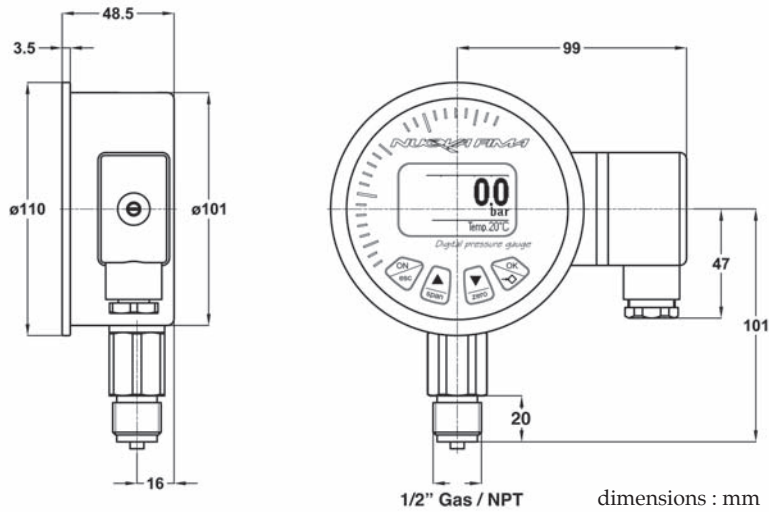
Ring: stainless steel, crimped.

Ambient temperature: -4...+158 °F (-20...+70 °C).

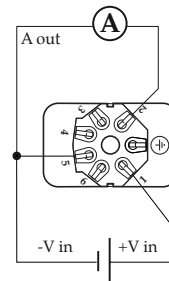
Nominal Ranges psi, relative (bar, relative)	Minimum Ranges psi, relative (bar, relative)	Overpressure psi, relative (bar, relative)
0...6 (0...0,4) (1)	0...1.45 (0...0,1) (1)	0...14.5 (1)
0...23 (0...1,6) (1)	0...4.64 (0...0,32) (1)	0...46.4 (3,2)
0...85 (0...6) (1)	0...17.4 (0...1,2) (1)	0...174 (12)
0...230 (0...16) (1)	0...46.4 (0...3,2) (1)	0...464 (32)
0...580 (0...40)	0...116 (0...8)	0...1160 (80)
0...1450 (0...100)	0...290 (0...20)	0...2900 (200)
0...3600 (0...250)	0...1800 (0...125)	0...5800 (400)
0...5800 (0...400)	0...2950 (0...200)	0...7250 (500)
0...14500 0 (0...1000)	0...7250 (0...500)	0...17400 (1200)
0...23000 (0...1600)	0...11500 (0...800)	0...26000 (1800)

(1) Also absolute ranges available

Ranges In Hg/psi, relative (bar, relative)	Minimum Ranges In Hg/psi, relative (bar, relative)	Overpressure psi, relative (bar, relative)
-30...0 (-1...0)	-6...0 (-0,2...0)	0...29 (2)
-30...20 (-1...1,5)	-6...4 (-0,2...0,3)	0...46.4 (3,2)
-30...70 (-1...5)	-6...14 (-0,2...1)	0...174 (12)
-30...200 (-1...15)	-6...40 (-0,2...3)	0...464 (32)

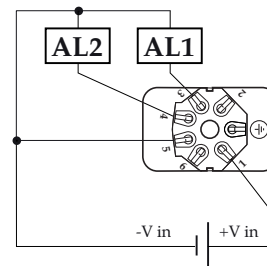


Output signal	4...20 mA
N. wires	3
Load (Ohm)	$R_L \leq (V_{in}-11)/0,02$
Supply: +V _{in}	11...30
Ground	(pls. refer to Installation Manual)



Alarms	2
Types	PNP, NPN
Max output current: I _{out} (1)	100 mA
Min. load (Ohm)	$R_{Lm} \geq (V_{in}-1)/I_{out}$
Supply: +V _{in}	11...30

(1) 2 A max output current, available upon request



MENU OPTIONS

Peak values (min / max) (1)
Ambient temperature measurement (1)
Alarm hysteresis control
Password protection
Engineering units choice: 27 available (2)
Language choice: 5 available (3)

- (1) secondary display messages
- (2) bar; mbar; at; kPa; MPa; PSI; kg/cm²; mmHg; inHg; mH₂O; cmH₂O; mmH₂O; bar abs; mbar abs; MPa abs; mm; m; feet; inch; l; kg; t; m³; gal; lb; %; mA
- (3) italian, english, spanish, french, german

“HOW TO ORDER” SEQUENCE

Section / Model/ Special version / Range / Process connection

